

Installation manual ValkPitched - Insert



Table of contents

Disclaimer	Page -
Mounting the Smartline roof hooks	Page 01
Mounting the Slimline roof hooks	Page 02
Mounting the Standard roof hooks	Page 03
Mounting the hangerbolts	Page 04
Mounting the Side++ profile	Page 05
Mounting Side+ profile	Page 05B
Mounting the Side++ coupling	Page 06
Mounting the clamps	Page 07
Mounting the clamps	Page 08
Mounting the clamps	Page 09
Mounting the insert profile	Page 10
Coupling insert profile	Page 11
Mounting end piece	Page 12
Mounting modules	Page 13
Mounting the cable clamps	Page 14

Please note:

- This manual is not project specific
- This manual is not legally binding
- No rights may be derived from this manual
- Use this manual in combination with the ValkPVplanner project report
- Check datasheet ValkCableCare for cable management
- The system is placed in the middle zone of the roof



Disclaimer

This installation manual must be seen in addition to the project report which shows you specific information about your project like a project drawing and ballast plan for flat roofs.

The project report is a result of the calculation tool, the ValkPVplanner. This online calculation tool and/or the project reports derived from this tool were composed with the greatest possible care. Nonetheless, it is possible that some information might not be entirely correct as the results for each project report can be based on default values, which values always need to be checked by you. The instructions provided in this project report must be observed at all times. All applicable standards and appendixes have been integrated in this online calculation tool.

All current structural, safety and building regulations must be observed. Solar mounting systems installed on roofs will be exposed to wind and snow. The building in question will be subject to a load as a result of the PV system. A design calculation must be used to establish whether or not the building will be able to withstand the extra load. Where necessary, modifications need to be made.

Flat roof systems should either be attached to the roof or need to be supported by ballast, to make sure that the system is unable to be lifted or tipped over. The ballast specified in the ValkPVplanner project report will be vital to ensure that the mounting system can be used. Flat roofs with an angle above 5 degrees must be attached to the roof.

The calculations in the online calculation tool do not take into account obstacles in the near surrounding like high buildings, cliffs and mountains. Restrictions also apply for the position of the system on a roof. The solar panels must be installed at a certain distance from edge of the roof as shown in this project report and the installation manual.

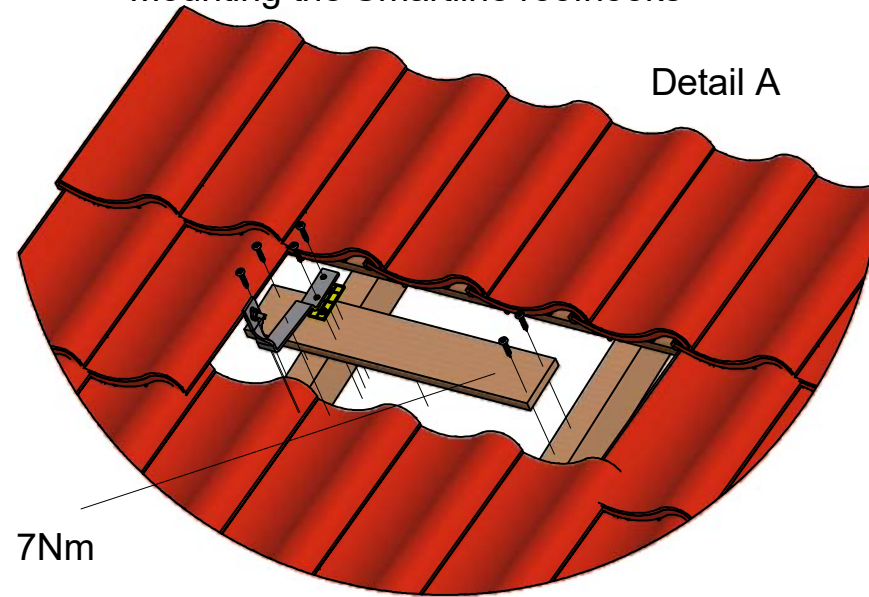
The standard warranty for pitched roof, flat roof and ground mount systems is 10 years, which can be extended under certain conditions. The guarantee provided is subject to the guarantee conditions stated in the general terms and conditions stipulated by Van der Valk Solar Systems B.V. Our terms and conditions shall apply to all our products and can be found on our website: www.valksolarsystems.com.

Van der Valk Solar Systems B.V. does not accept any liability for any direct and/or indirect consequences of any act (or omission) ensuing from the information in or the failure to observe the instruction provided in the project report and the installation manual and for possible incorrect results resulting from the use of this online calculation tool which was made available to you.

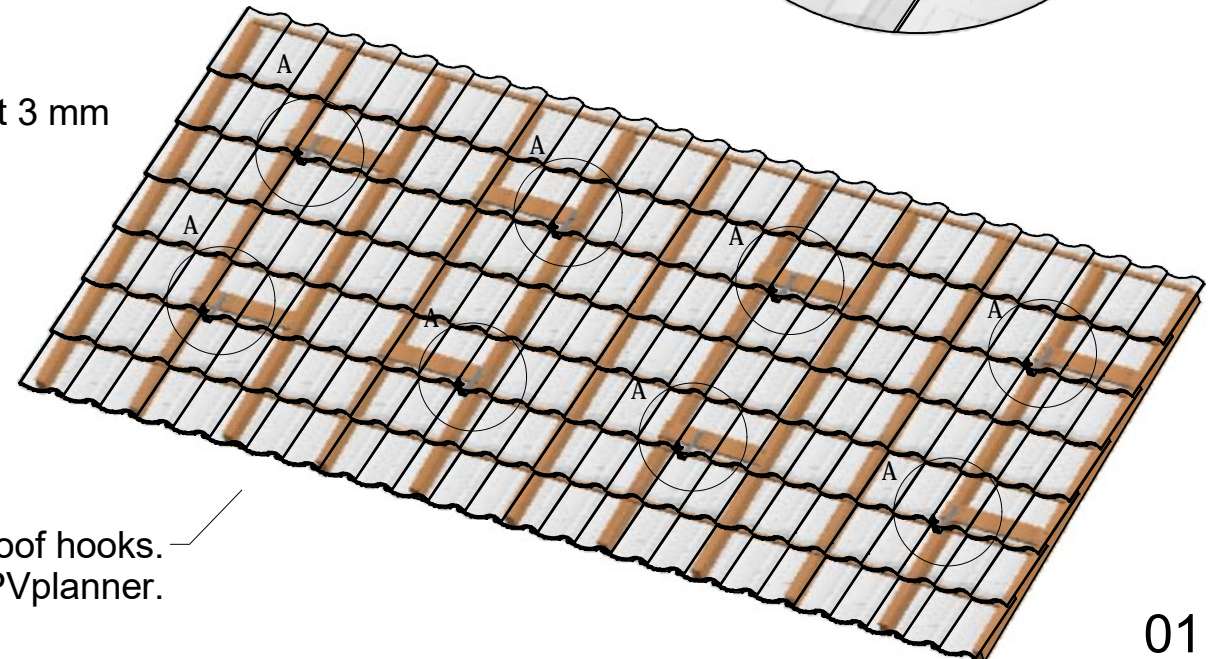
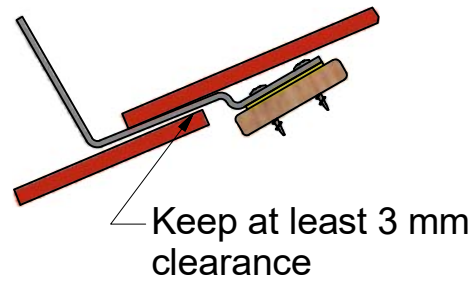
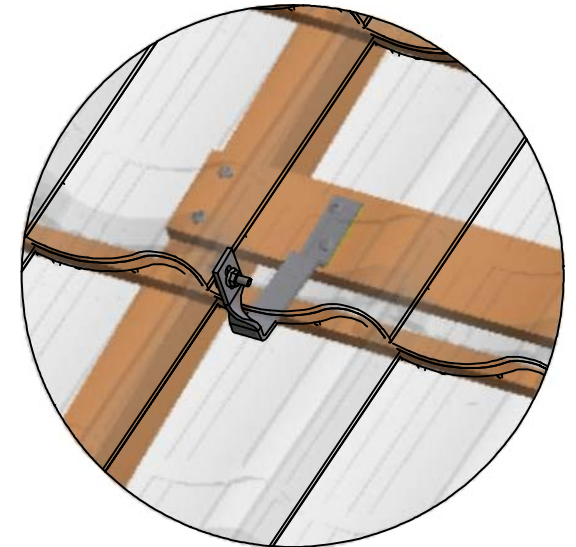


Mounting the Smartline roofhooks

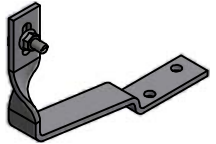
Detail A



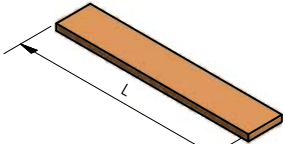
Detail A



74.78.32



75.40. (L [mm])



77.38.40

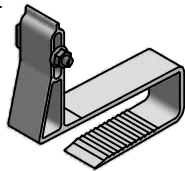


Optional:

73.90.03

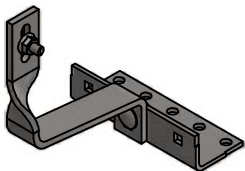


See page 2



Optional:

See page 3



Optional:

See page 4



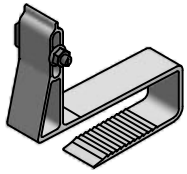
Optional:

For the distance between roof hooks.
See the Project Report of the ValkPVplanner.

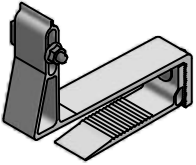
Mounting the Slimline roof hooks



Fixed
72.95.31

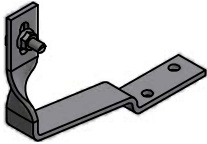


Adjustable
72.95.41



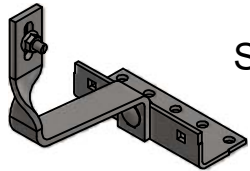
Optional:

See page 1



Optional:

See page 3

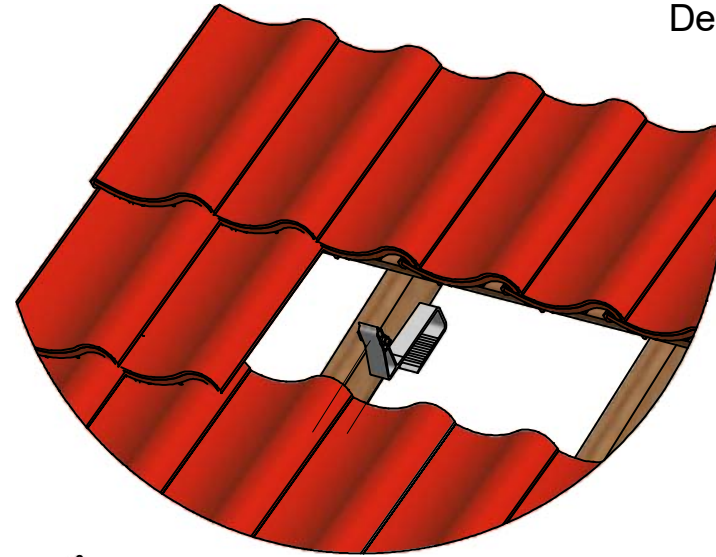


Optional:

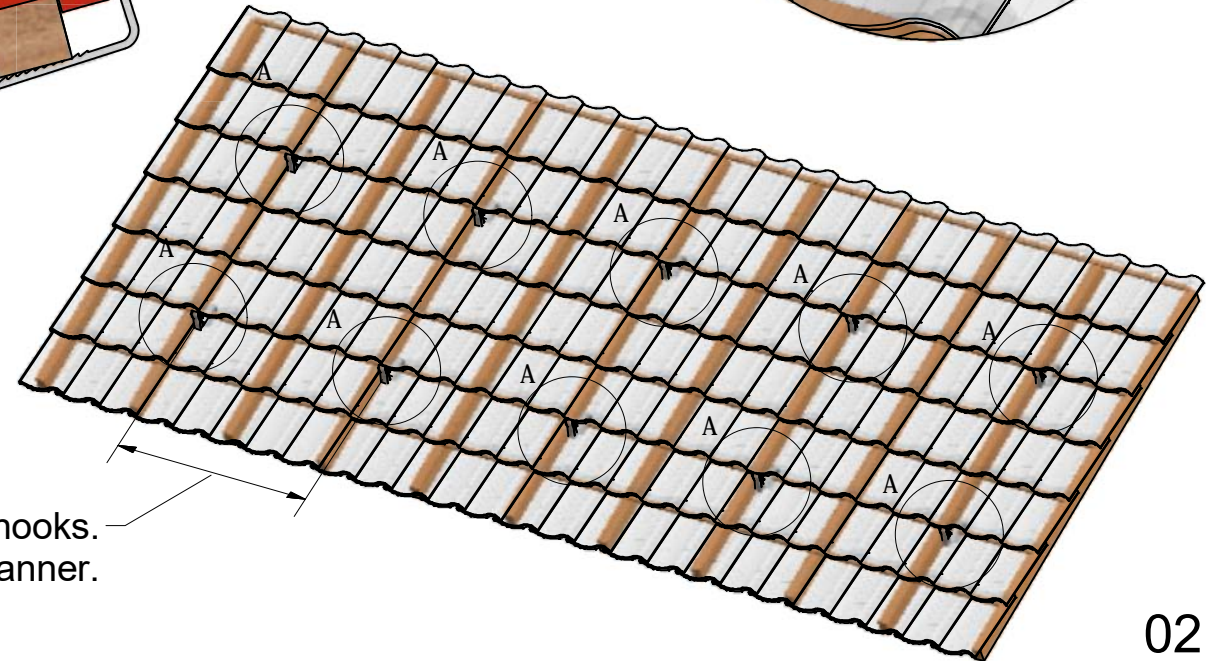
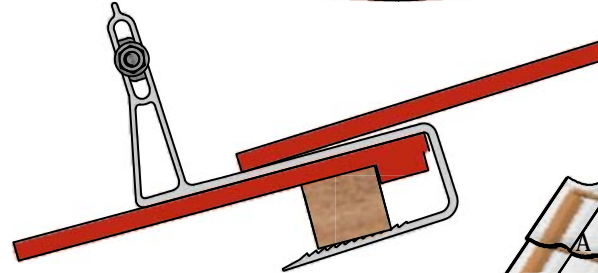
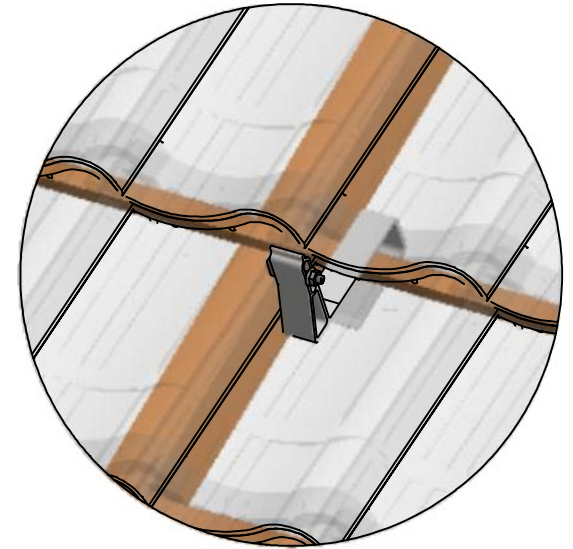
See page 4



Detail A

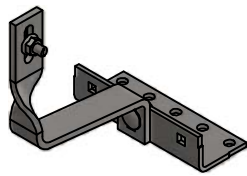


Detail A



For the distance between the Slimline roof hooks.
See the Project Report of the ValkPVplanner.

Mounting the Standard roof hooks

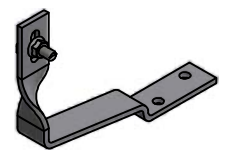


74.78.45



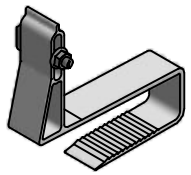
77.33.60

Optional:



See page 1

Optional:



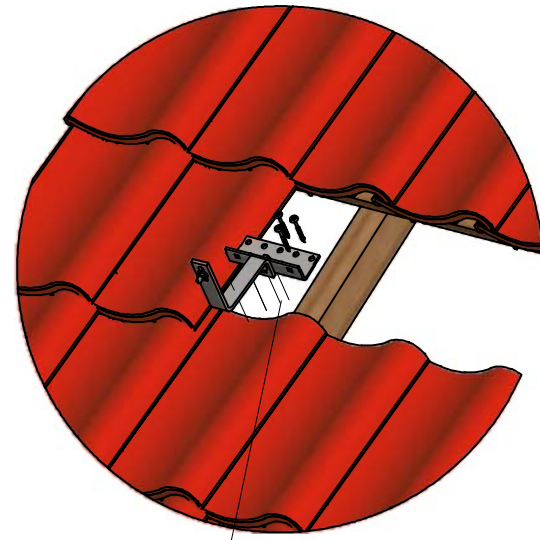
See page 2

Optional:



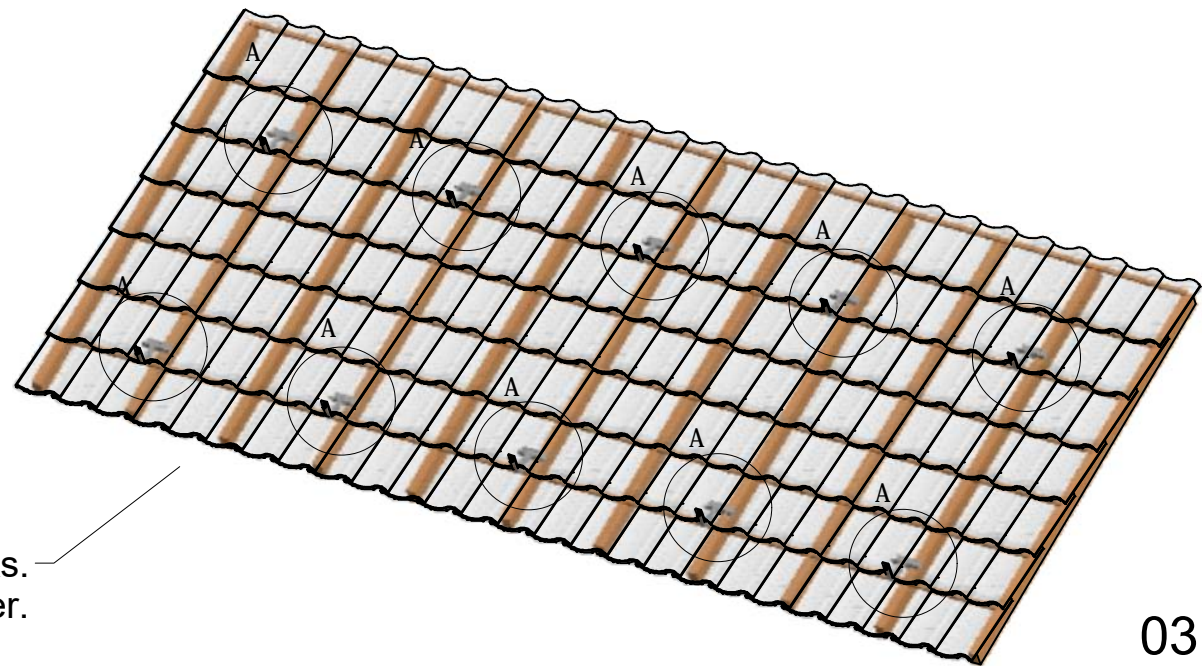
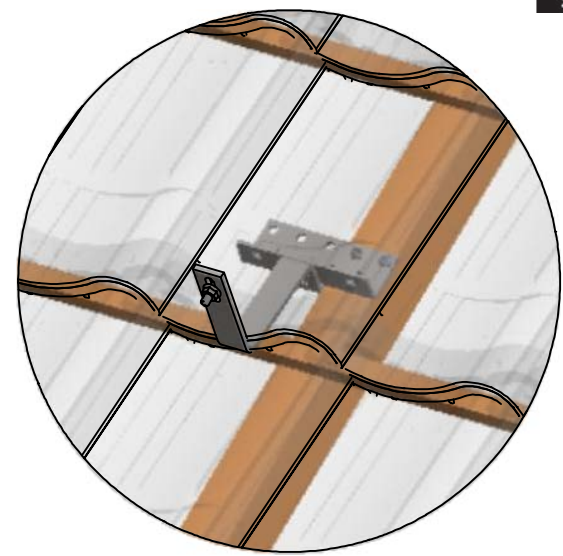
See page 4

Detail A



7Nm

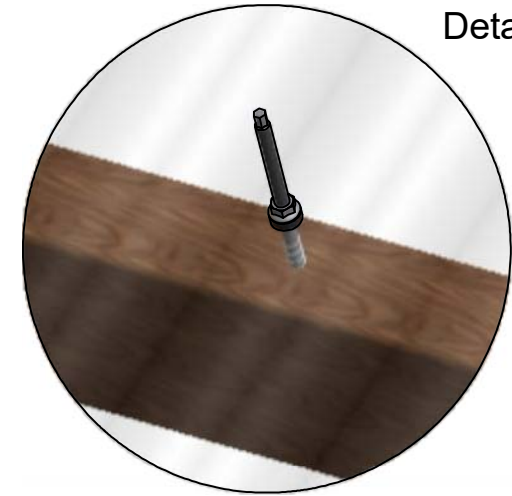
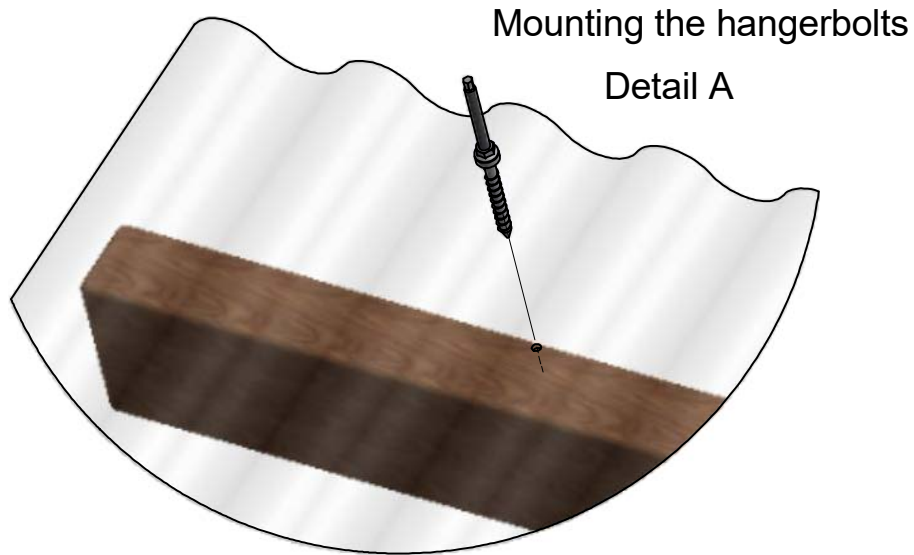
Detail A



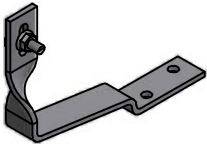
For the distance between the roof hooks. See the Project Report of the ValkPVplanner.



- M10 74.79.15 (M10x200)
- 74.79.17 (M10x250)
- M12 74.79.20 (M12x250)
- 74.79.22 (M12x350)



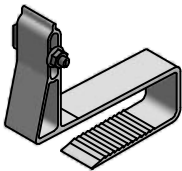
Optional:
See page 1



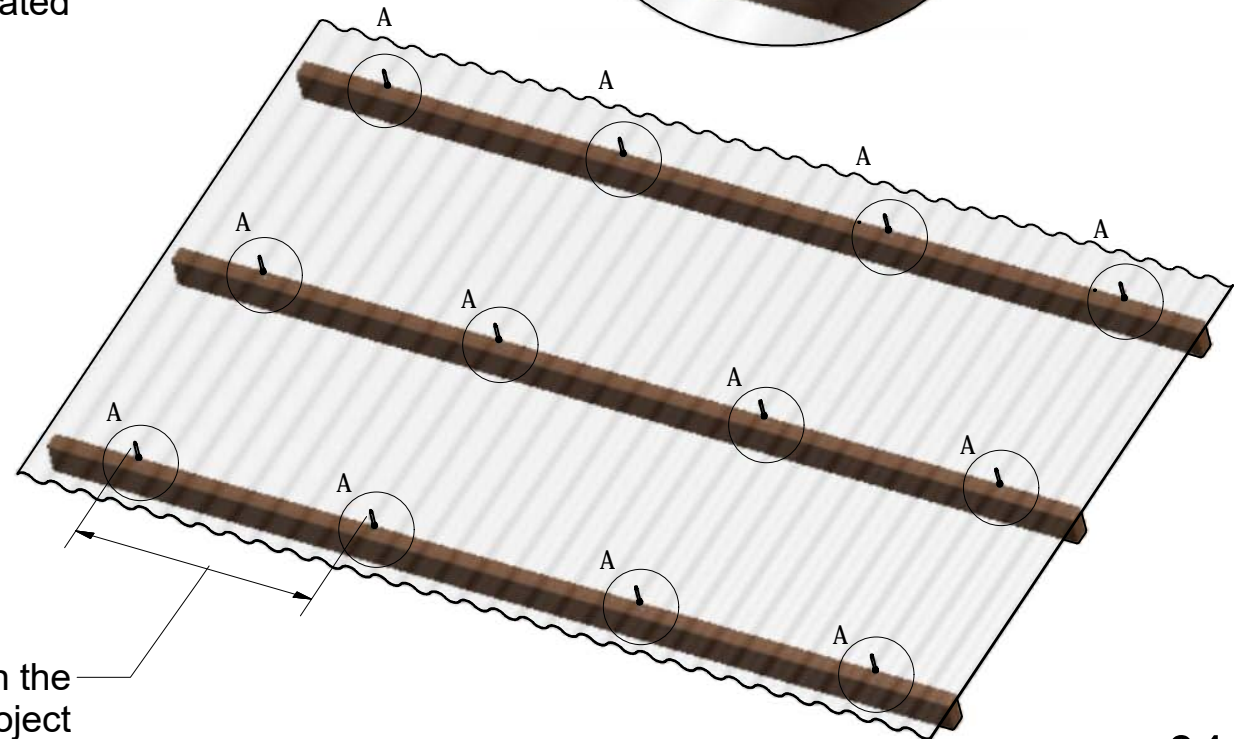
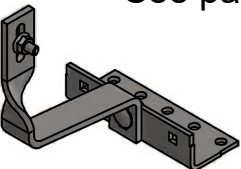
Drill hole for hanger bolts.
M10 : Hole size 10 mm in corrugated sheet
M12 : Hole size 12 mm in corrugated sheet

Pre drill in wood.
M10 : Hole size 7,0 mm
M12 : Hole size 8,4 mm

Optional:
See page 2

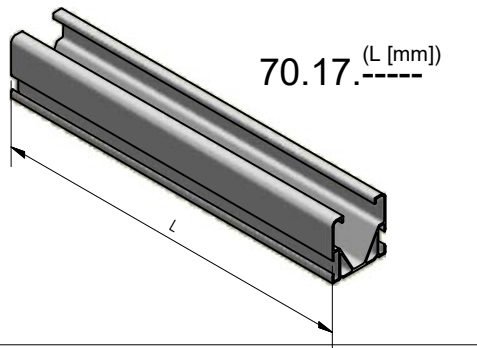


Optional:
See page 3

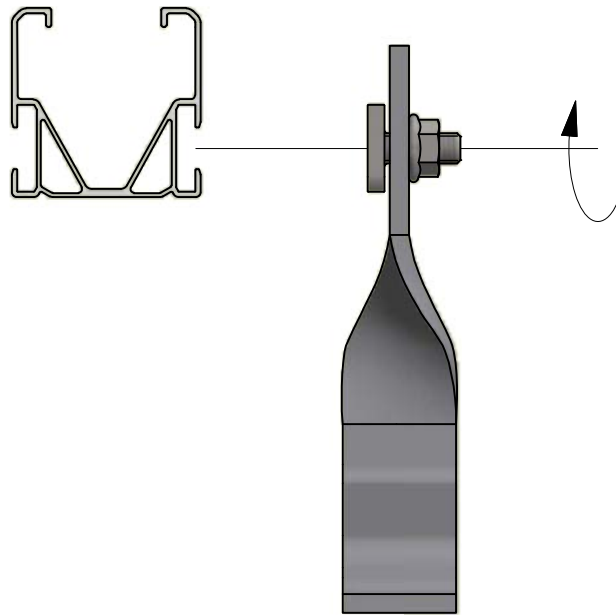


For the distance between the hanger bolts. See the Project Report of the ValkPVplanner.

Mounting the Side++ profile

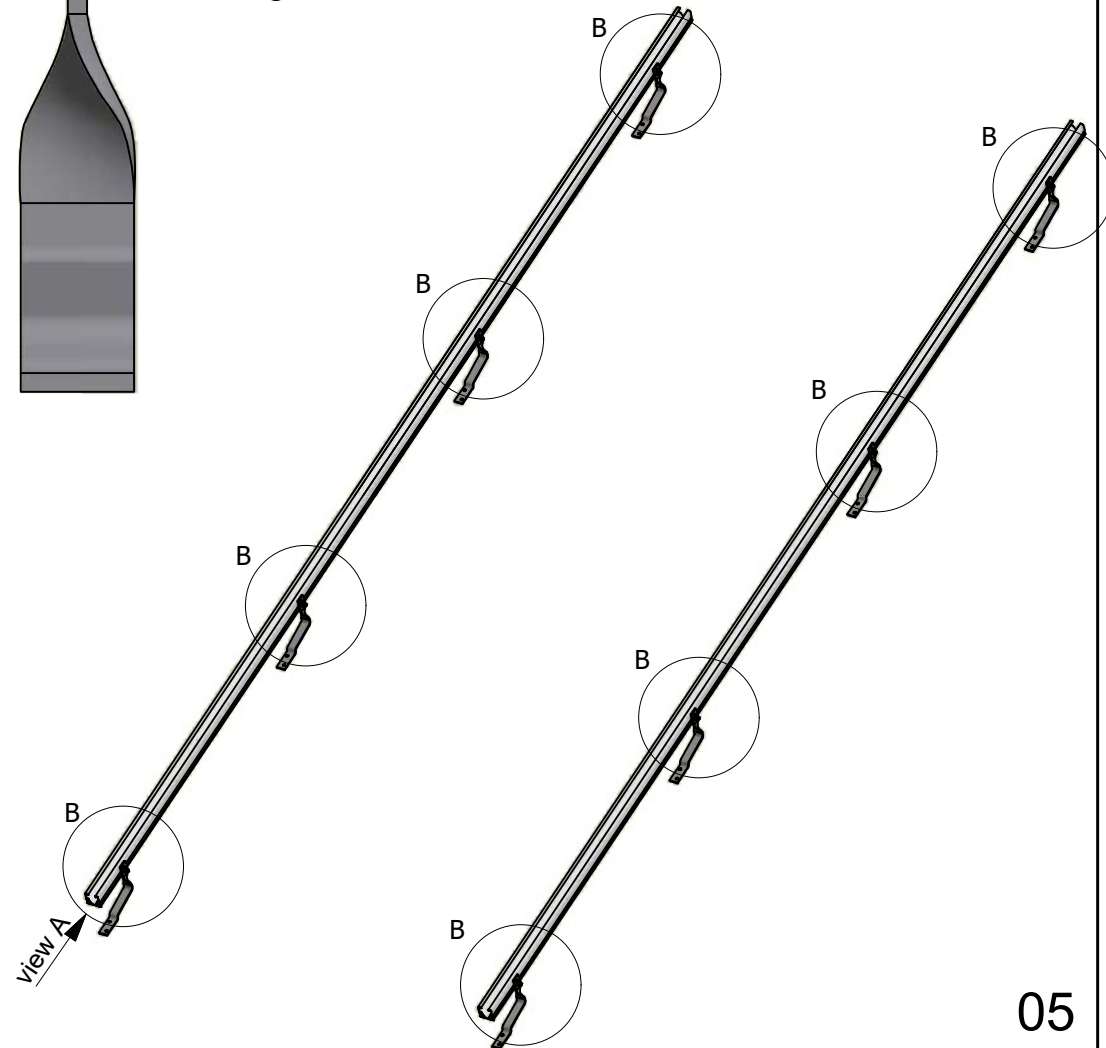
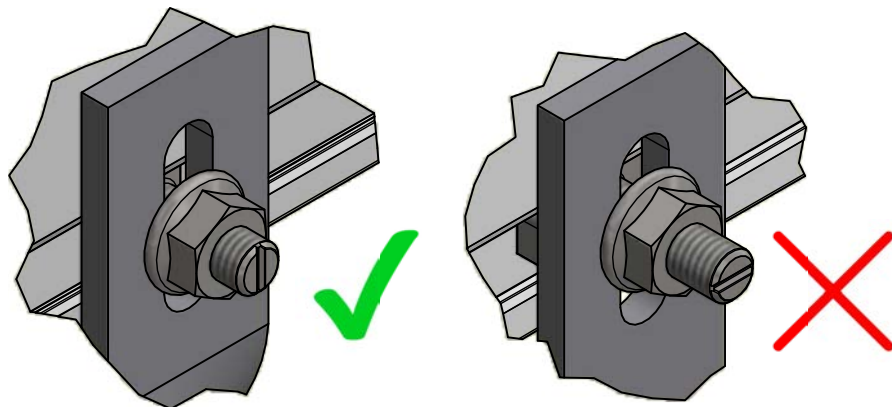


Detail A



The groove of the bolt corresponds with the orientation of the bolt head.

Detail B

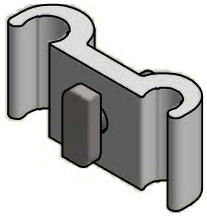


Mounting Side++ profile

VAN DER VALK

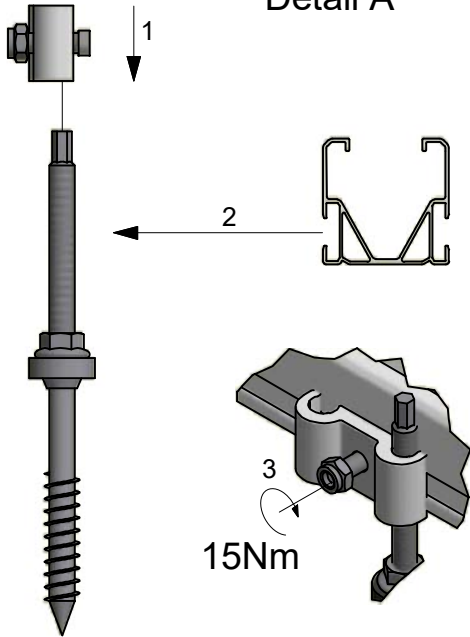


SOLAR SYSTEMS

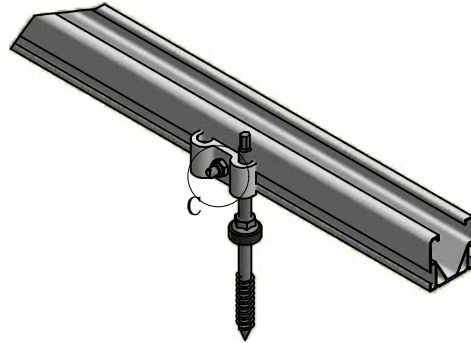


72.11.00

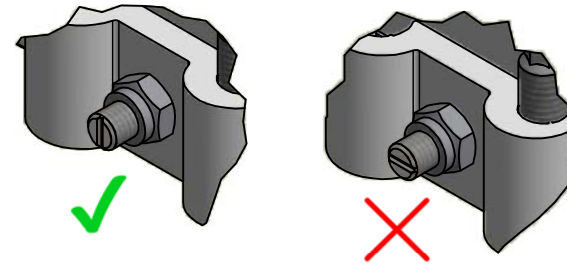
Detail A



Detail B

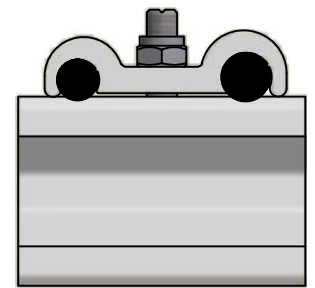


Detail C

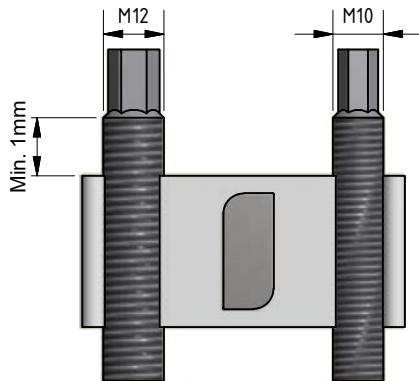


The groove of the bolt corresponds with the orientation of the bolt head.

Top view



At least 1 mm thread above the clamp.

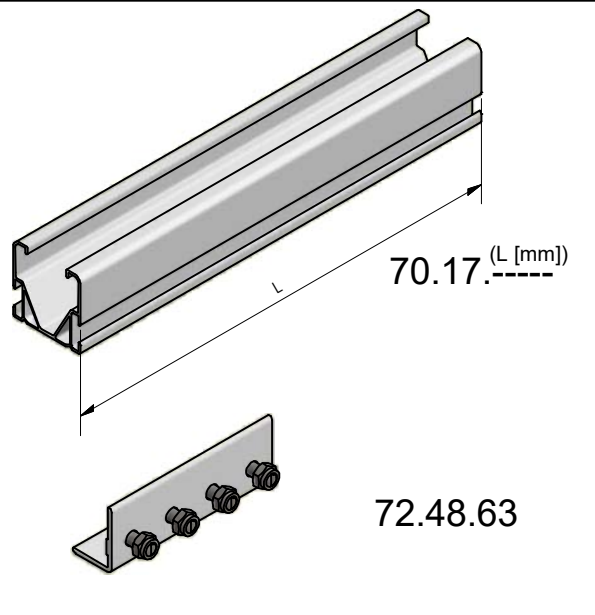
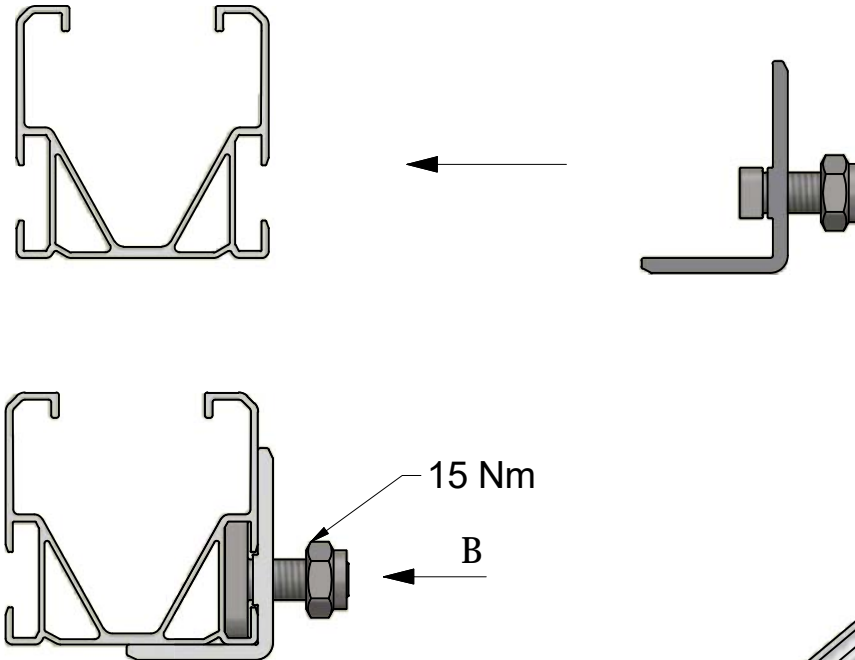


05B



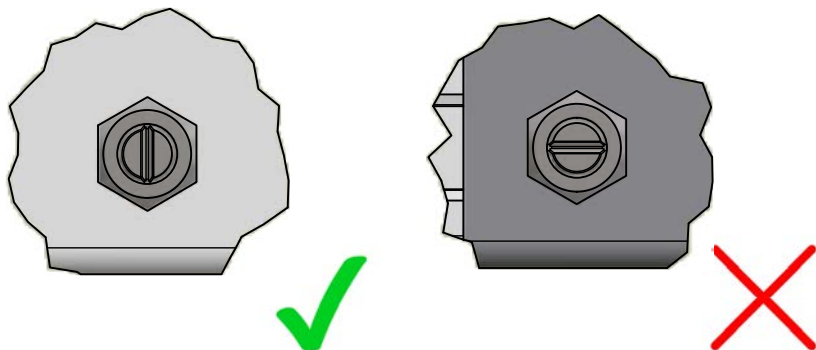
Mounting the Side++ coupling

Detail A

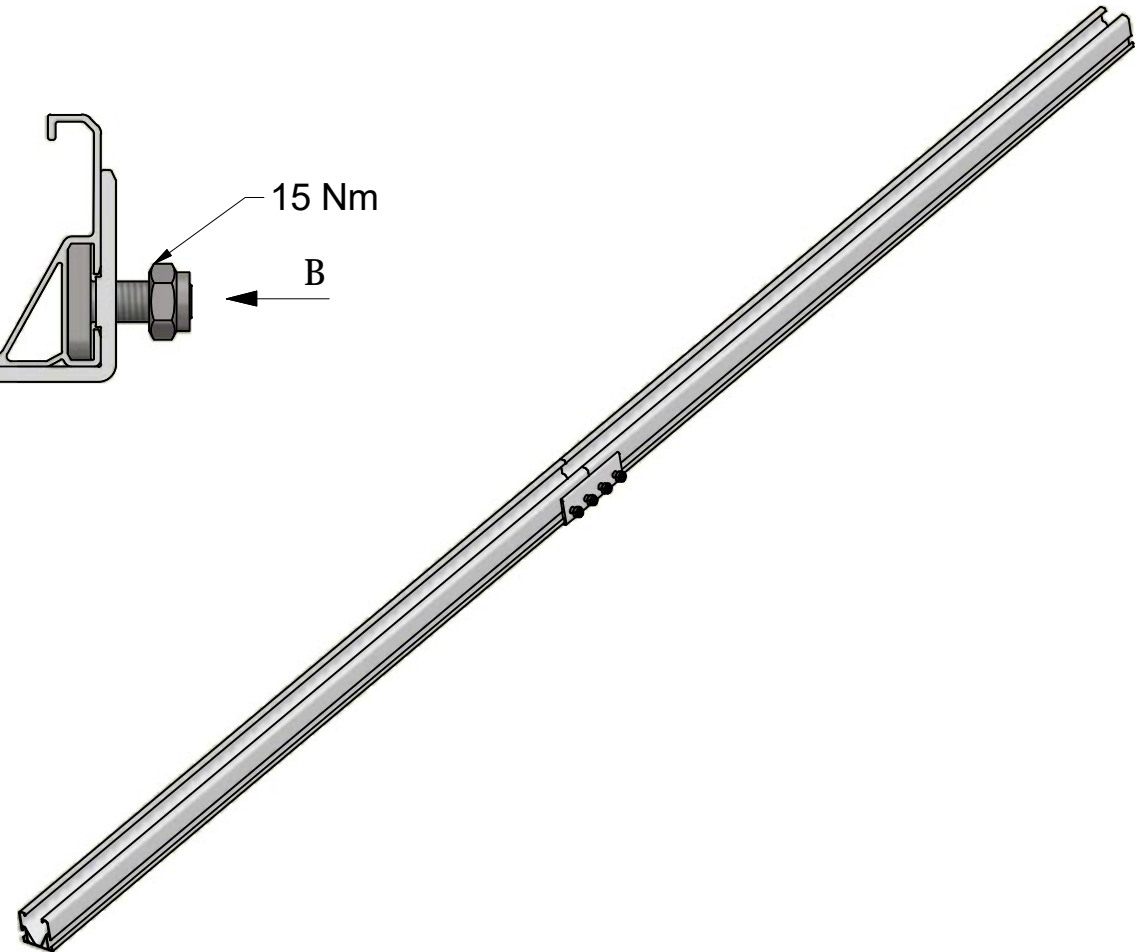


The groove of the bolt corresponds with the orientation of the bolt head.

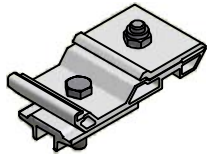
Detail B



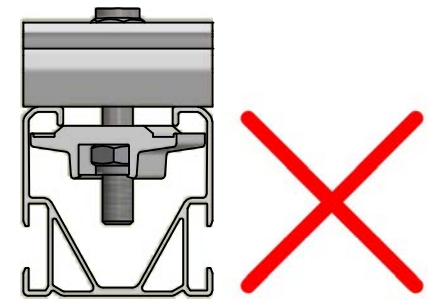
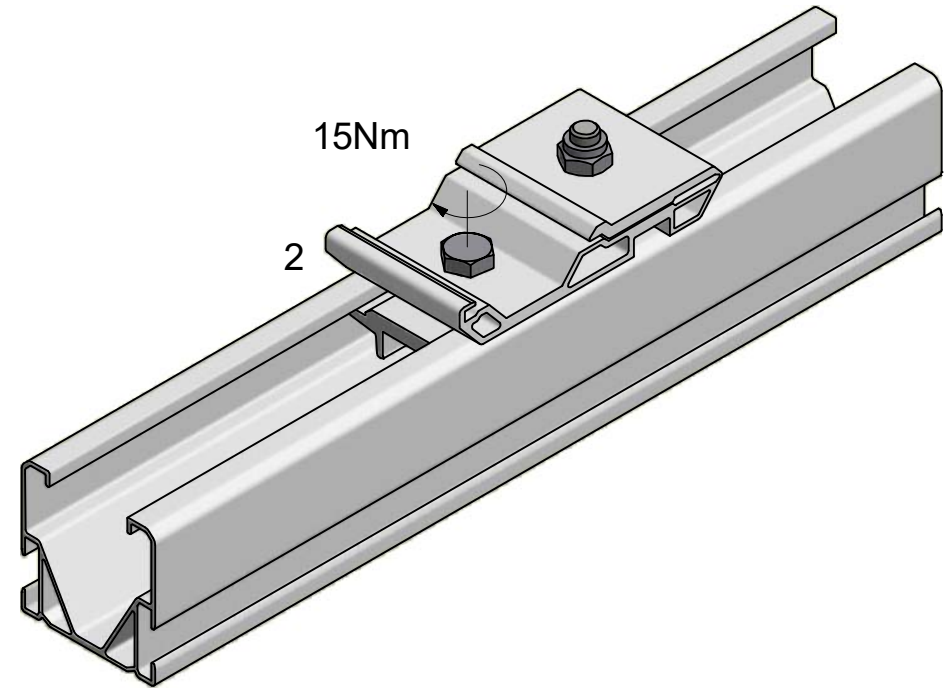
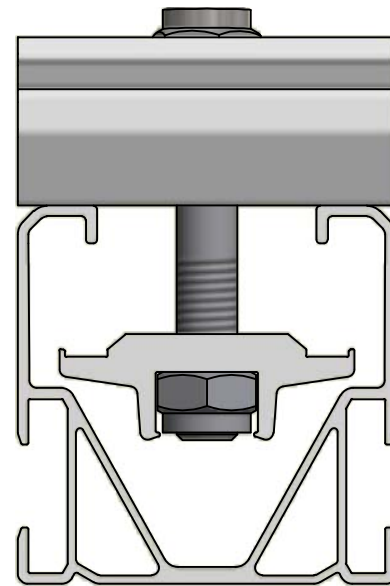
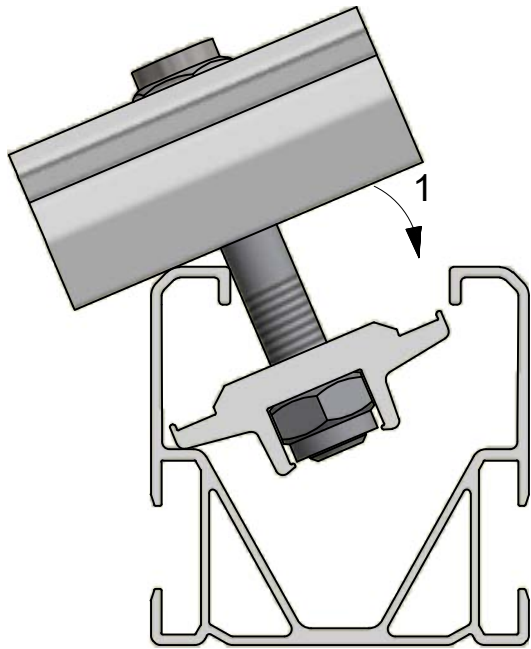
A

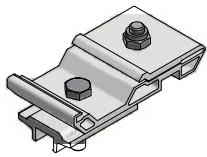


Mounting the clamps



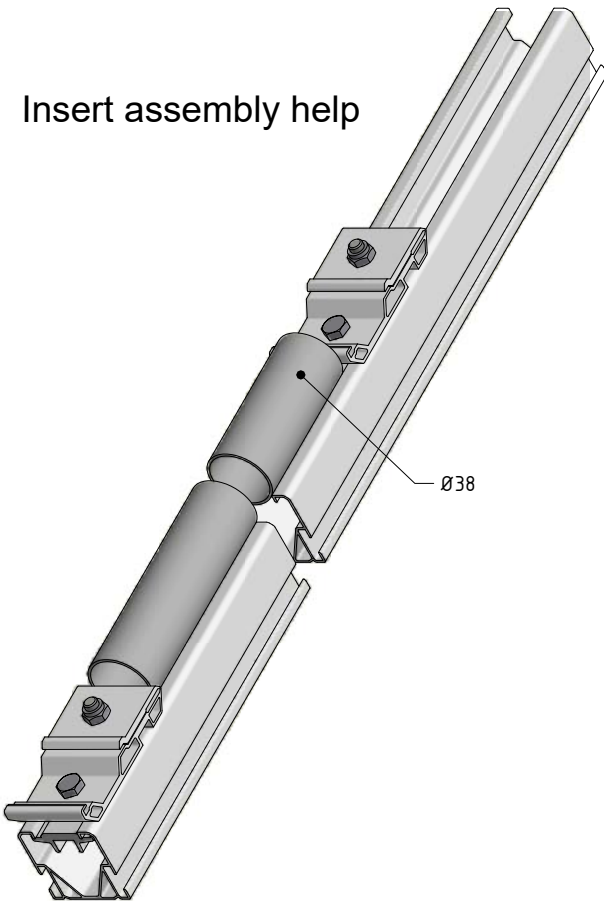
72.40.51





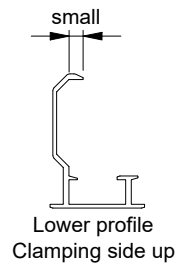
72.40.51

Mounting the clamps

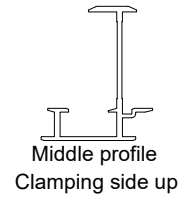


Insert assembly help

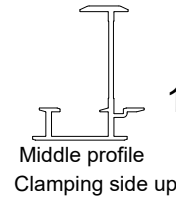
$\varnothing 38$



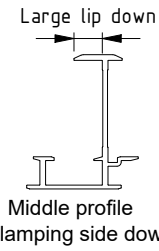
Lower profile
Clamping side up



Middle profile
Clamping side up



Middle profile
Clamping side up



Middle profile
Clamping side down

Option 1

15Nm

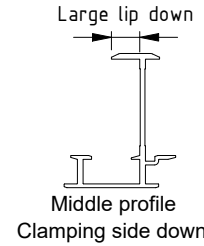
15Nm

15Nm

15Nm

15Nm

15Nm



Middle profile
Clamping side down

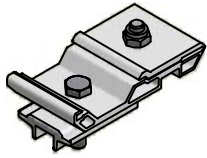
Option 2

Panel size - 87

Panel size - 130

Panel size - 162

Note: See page 9 when only using middle profiles.



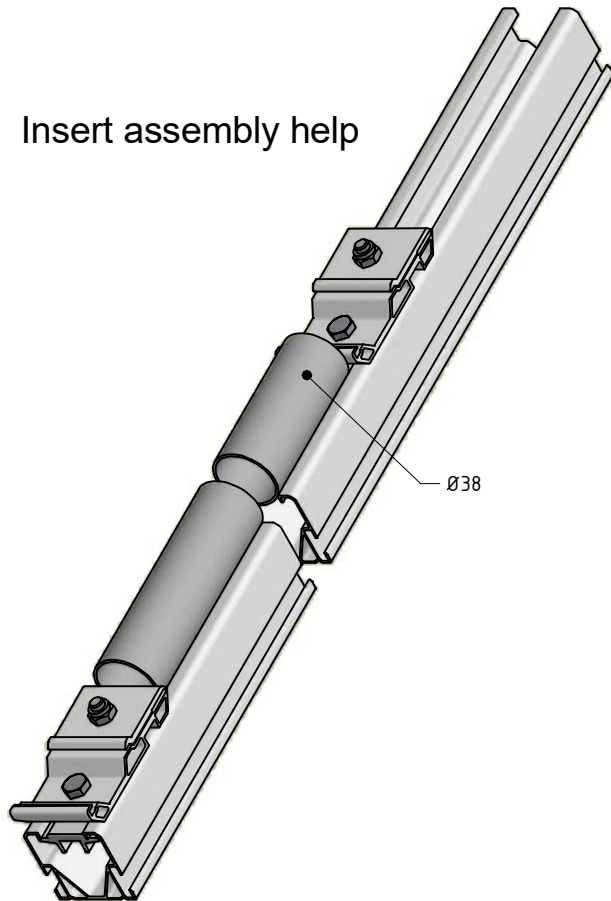
72.40.51

Mounting the clamps

When only using middle profiles

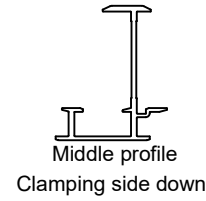


Insert assembly help



Ø38

Option 3

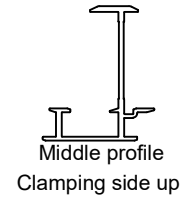


Middle profile

Clamping side down

15Nm

Panel size - 130

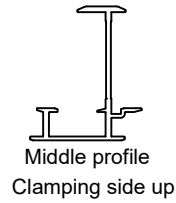


Middle profile

Clamping side up

15Nm

Panel size - 87

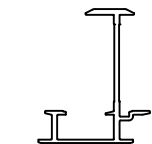


Middle profile

Clamping side up

15Nm

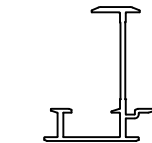
Panel size - 87



Middle profile

Clamping side up

15Nm

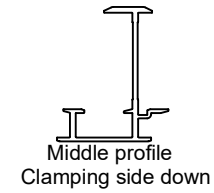


Middle profile

Clamping side up

15Nm

Option 4



Middle profile

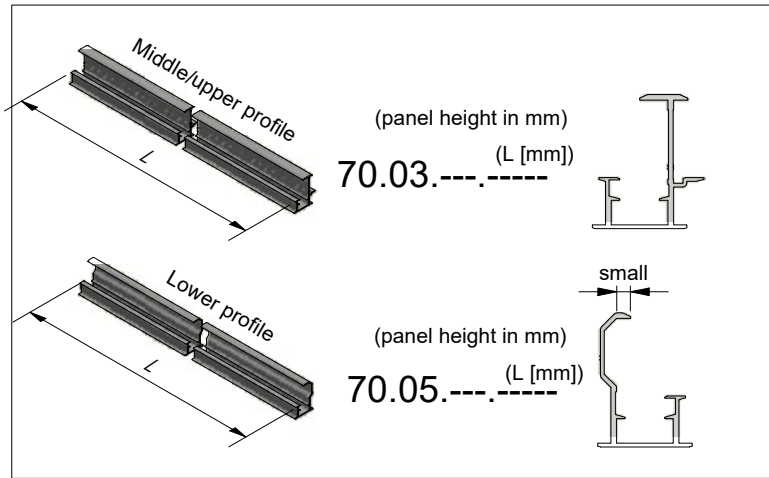
Clamping side down

15Nm

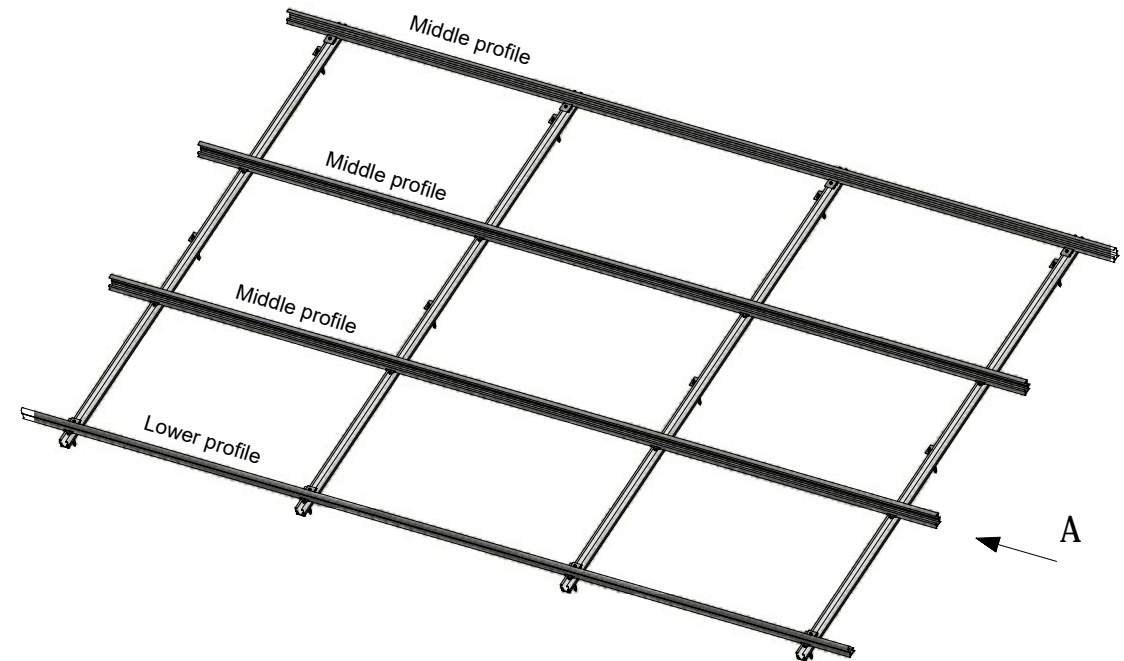
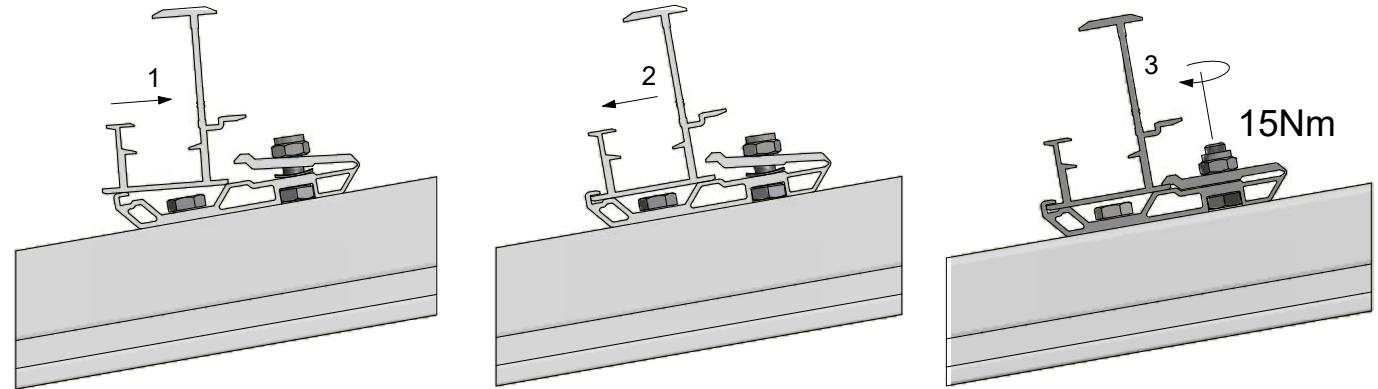
Panel size - 130



Mounting the insert profile



Detail A



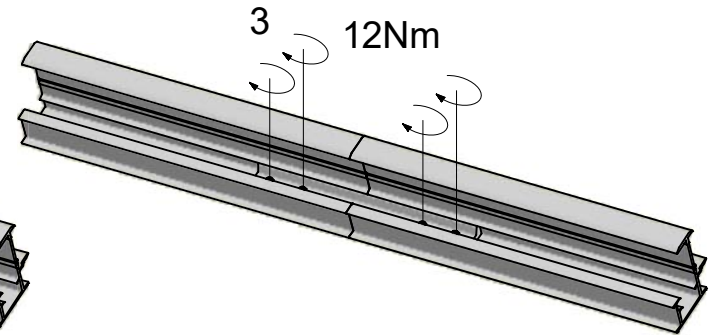
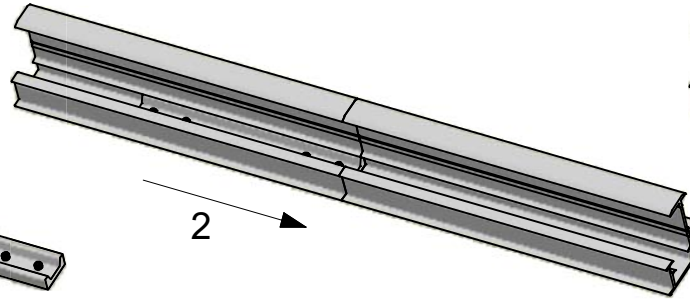
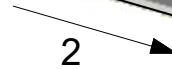
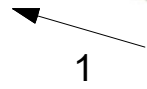
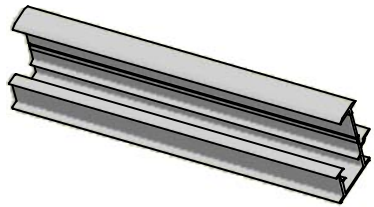
Coupling insert profile



72.48.10



Detail A

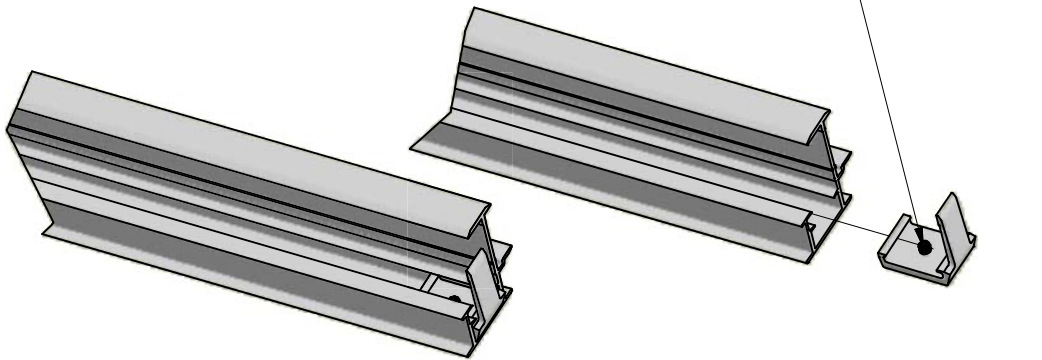


Mounting end piece

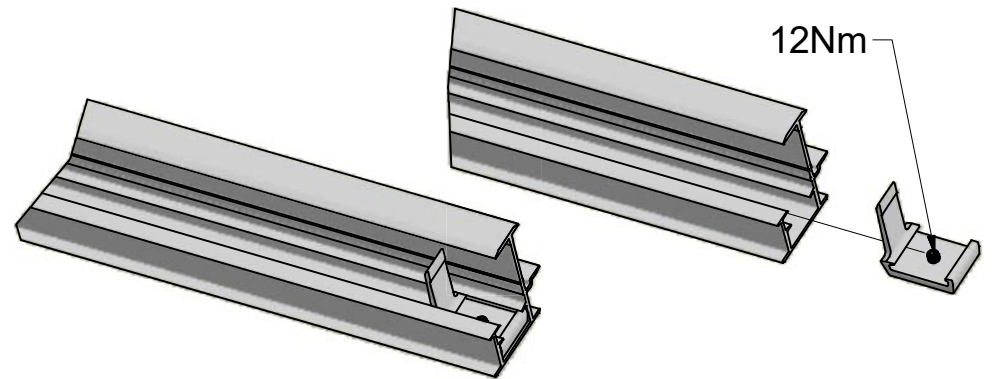


72.48.20

option 1



option 2

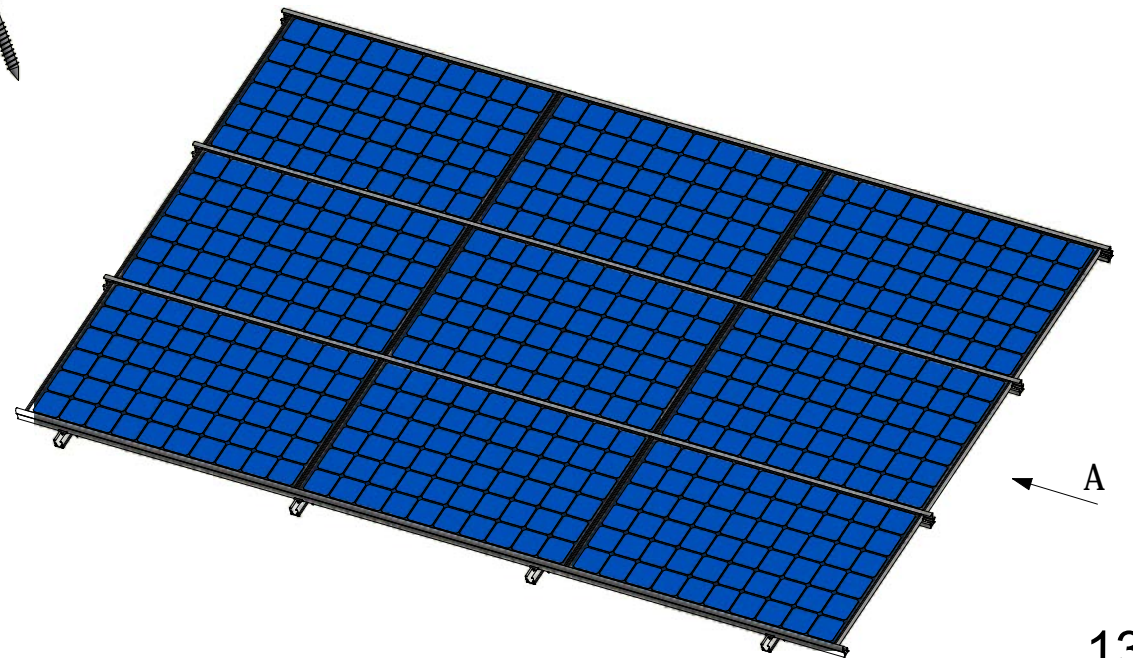
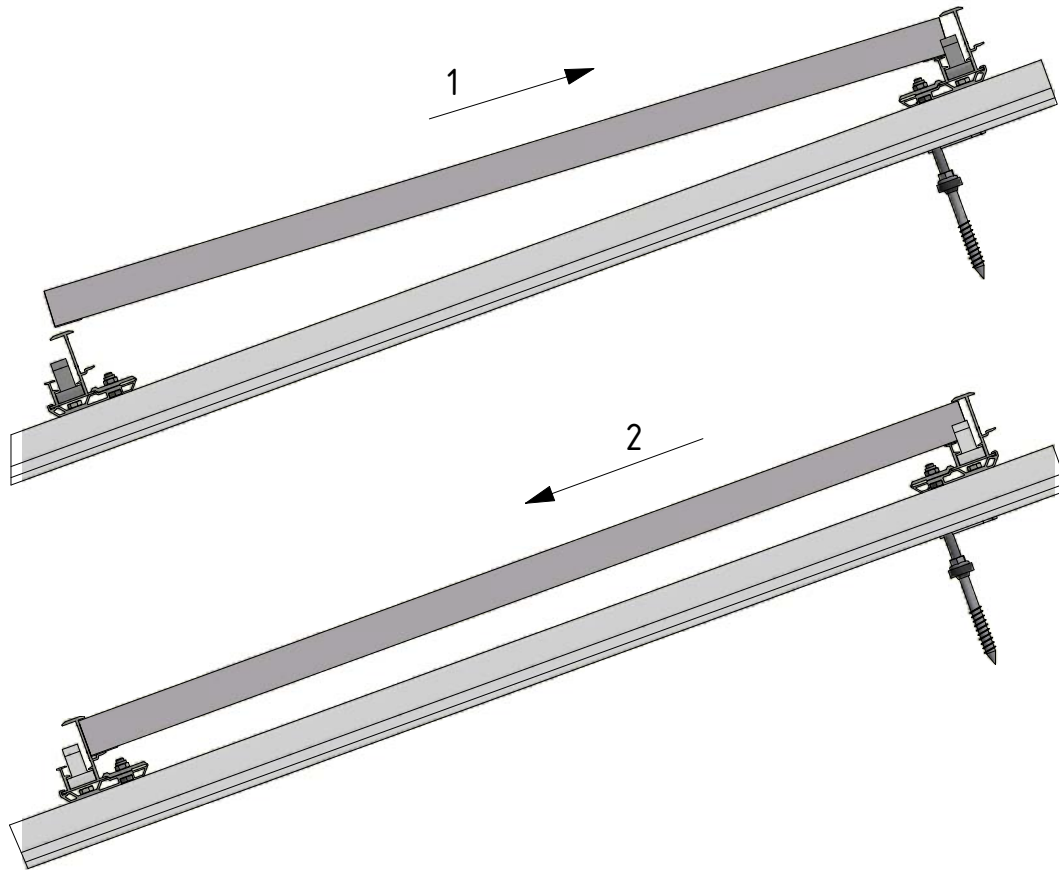


Mounting modules

VAN DER VALK



SOLAR SYSTEMS

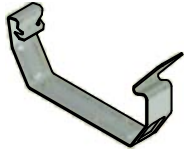




73.20.01
Max. cable diameter Ø9 mm



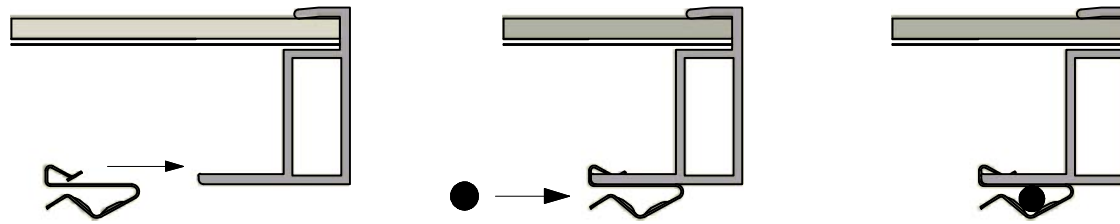
73.20.03
Max. cable diameter Ø9 mm



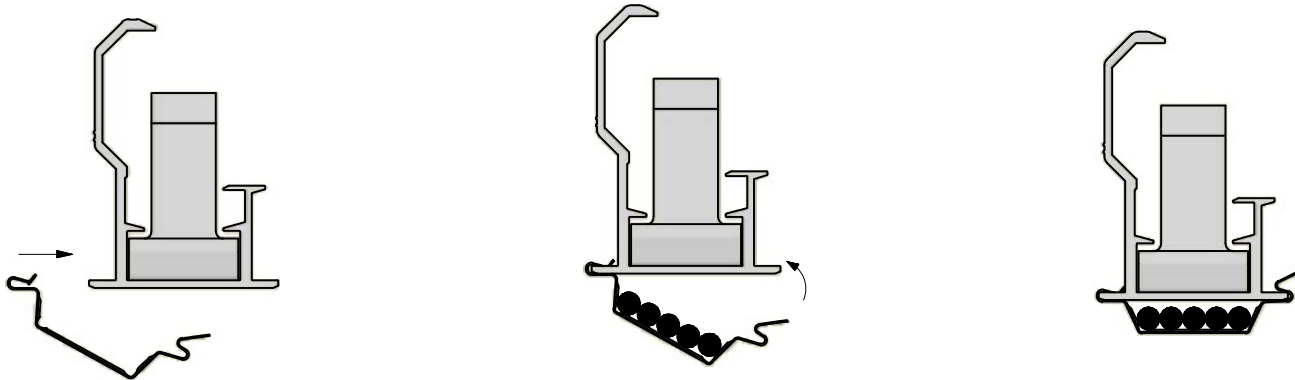
73.20.05
Max. cable diameter Ø9 mm

Mounting the cable clamps

Mounting cable clamp on panel.



Mounting cable clamp on insert profile.



Mounting cable clamp on Side++ profile.

